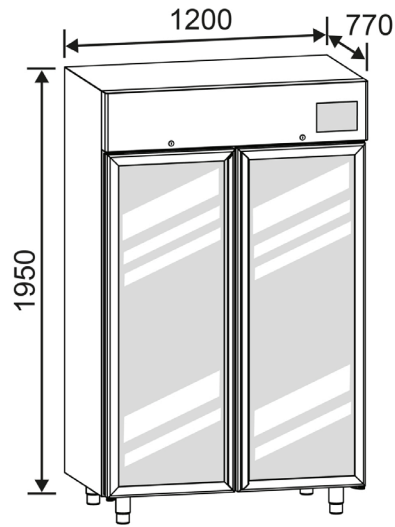


MPR 925 W ADVANCED



Color: **White**

Panel: **ADVANCED**

- Touch control panel with 7" display and password
- Data download to USB
- Backup battery for managing alarms in case of power failure
- Audible and visual alarms
- Wi-Fi connection (available starting from 4th quarter 2024)

TECHNICAL FEATURES

Temperature	+2°C / +15°C
Refrigeration Type	Forced air
Defrost Type	Automatic, with heating resistance
Condensate Evaporation	Automatic
Refrigerant Gas	R290
Climatic Class	+16°C / +38°C (ST)
Gross Capacity (liters)	1030
Net Capacity (liters)	925
External Dimensions (W x D x H mm)	1200 x 770 x 1950

MPR 925 W ADVANCED



ELECTRICAL DATA

Power Supply (V/ph/Hz)	220-230/1/50
Power Plug	Type F

STRUCTURAL FEATURES

Structure	Upright
External Material	Anti-bacterial coated steel white colour
Internal Material	Stainless steel 18/10 AISI 304
Insulation Thickness (mm)	50
Triple-Layer Glass Door	Yes
Automatic Door Closure	Yes
Internal Lighting Type	LED stripe with UVA for air sterilization
Shelves Number	6
Shelf Material	Wire steel with white colour plastic coating
Shelves Dimensions (W x D mm)	460 x 570
Shelf Adjustment Step	11 / 11
Shelf Adjustment Step Range (mm)	100
Maximum Shelf Quantity	11 / 11
Drawers with extractable slides	Optional
Drawer Adjustment Step	11 / 11
Drawer Adjustment Step Range (mm)	100
Maximum Drawer Quantity	11 / 11
Adjustable Steel Feet (from 135 to 160 mm)	4

CONTROL PANEL

Display Type	Touch 7"
Languages	ITA - ENG - FRA

MPR 925 W ADVANCED



CONTROL PANEL

Access Password	Yes
3-Level Access Password	Yes
Temperature Graph	Visible on display
Probe Type	Nr. 3 PT1000
Alarm Signaling	Acoustic and visual
Alarm Indications	Text form / codes
Adjustable High/Low Temperature Alarm	Yes
Adjustable Door Open Alarm	Yes
Power Loss Alarm	Yes
Probe Fault Alarm	Yes
Low Battery Alarm	Yes
Dirty Condenser Alarm	Yes
Evaporator Freezing Alarm	Yes
Acoustic Alarm Silencing Options	Yes
Acoustic Alarm Reactivation	Yes
Alarm Functionality Test	Yes
Calibration	Yes
Alarm Memory	Yes
Door Openings Memory	Yes
Defrost Memory	Yes
Event Memory	Yes
Daily Min/Max Temperature Memory	Yes
Data Logger Function with USB Port	Yes
USB Port	Type B
Data and Event Storage	Yes (on internal memory)
Dry Contact	Yes
Wi-Fi Connectivity	No
Monitoring App	Yes

MPR 925 W ADVANCED



CONTROL PANEL

Backup Battery for Display and Alarms	Yes
Backup Battery Autonomy for Display and Alarms (hours)	48

ACCESSORIES

Open wire shelf

Chromium plated open wire basket

Stainless steel drawer

Plastic drawer divider

Drawer Perspex front shield

Castors Ø 80 mm, 2 with brakes

Door key locking

Electronic door lock (available for ADVANCED control panel only)

Temperature chart recorder

Ballasted sensor for simulation of the product temperature alarm (available for ADVANCED control panel only)

Internal electrical socket

Porthole with cover Ø 18 mm

Porthole with cover Ø 45 mm

Internal spark-proofing

Back-up cooling unit (available for ADVANCED control panel only)

Safety anti-freezing thermostat

Temperature uniformity and stability kit ($<\pm 2^{\circ}\text{C}$)

Refrigerant R452a

GSM/GPRS telephone dialer

Voltage 230V/1ph/60Hz

Voltage 115V/1ph/60Hz

Plug type A

Plug type B

MPR 925 W ADVANCED



ACCESSORIES

Plug type G

Plug type I

Wooden crate packing

IQ Documentation

OQ Documentation

PQ Documentation



ESSE3 srl, Via Garibaldi 30
14022 Castelnuovo D.B. (AT)
Tel +39 011 99 27 706
Fax +39 011 99 27 506
e-mail: danielec@esse3-medical.com
web: www.esse3-medical.com

